

4.0 x 6.1mm Tact Switch (R/A, SMT Type)

TSG-10/1PS-XXXH




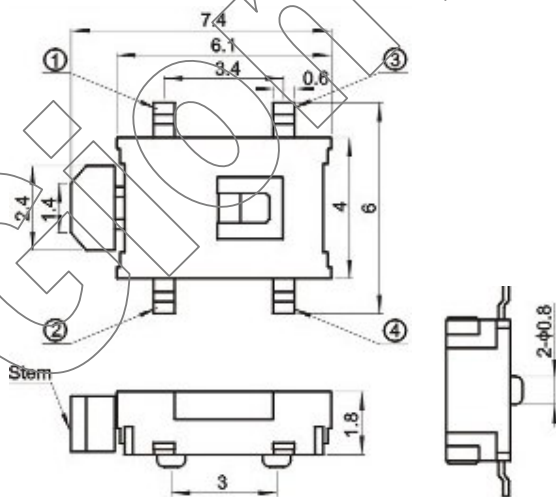
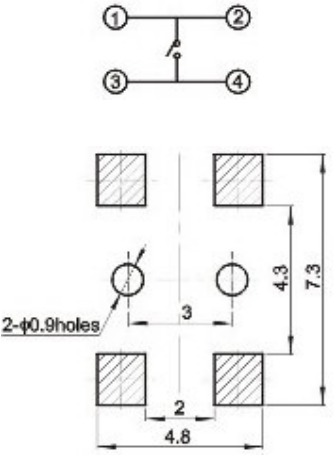
TS - Tact Switch
G - G Series
10 / 1P – Type
S - SMT Type
XXX - Action Force (gram)
H - With Post (Optional)

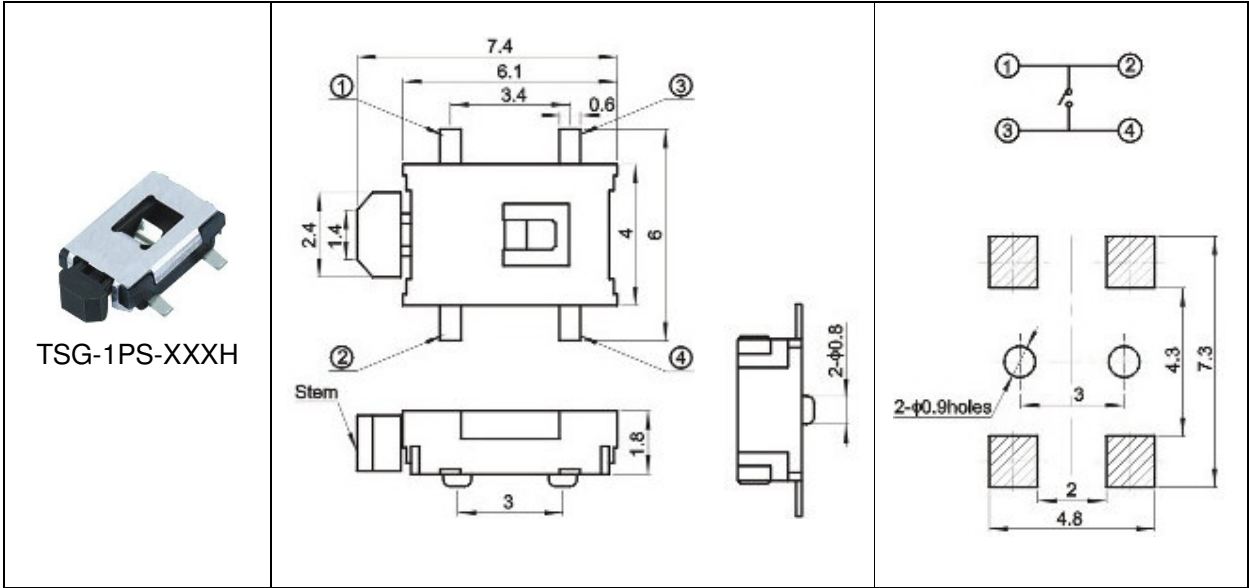
SPECIFICATIONS

Mechanical Life:	500,000 cycles
Operating Force:	90g±30g 180g±50g, 250g±50g
Rating:	50mA 12V DC
Dielectric withstanding:	250V AC/minute
Insulator resistance:	≥ 100 MΩ at 100V
Contact resistance:	≤ 100 mΩ/Contact
Operating temperature:	-20°C ~ +70°C
Storage temperature:	-40°C ~ +85°C

Material

Base:	LCP, UL94V-0
Contact material:	Phosphor Bronze
Contact Spring Plating:	Stainless Steel/Silver Plating

Physical Picture	Outline Drawing	Circuit
 <p>TSG-10S-XXXH</p>		



GionTech